

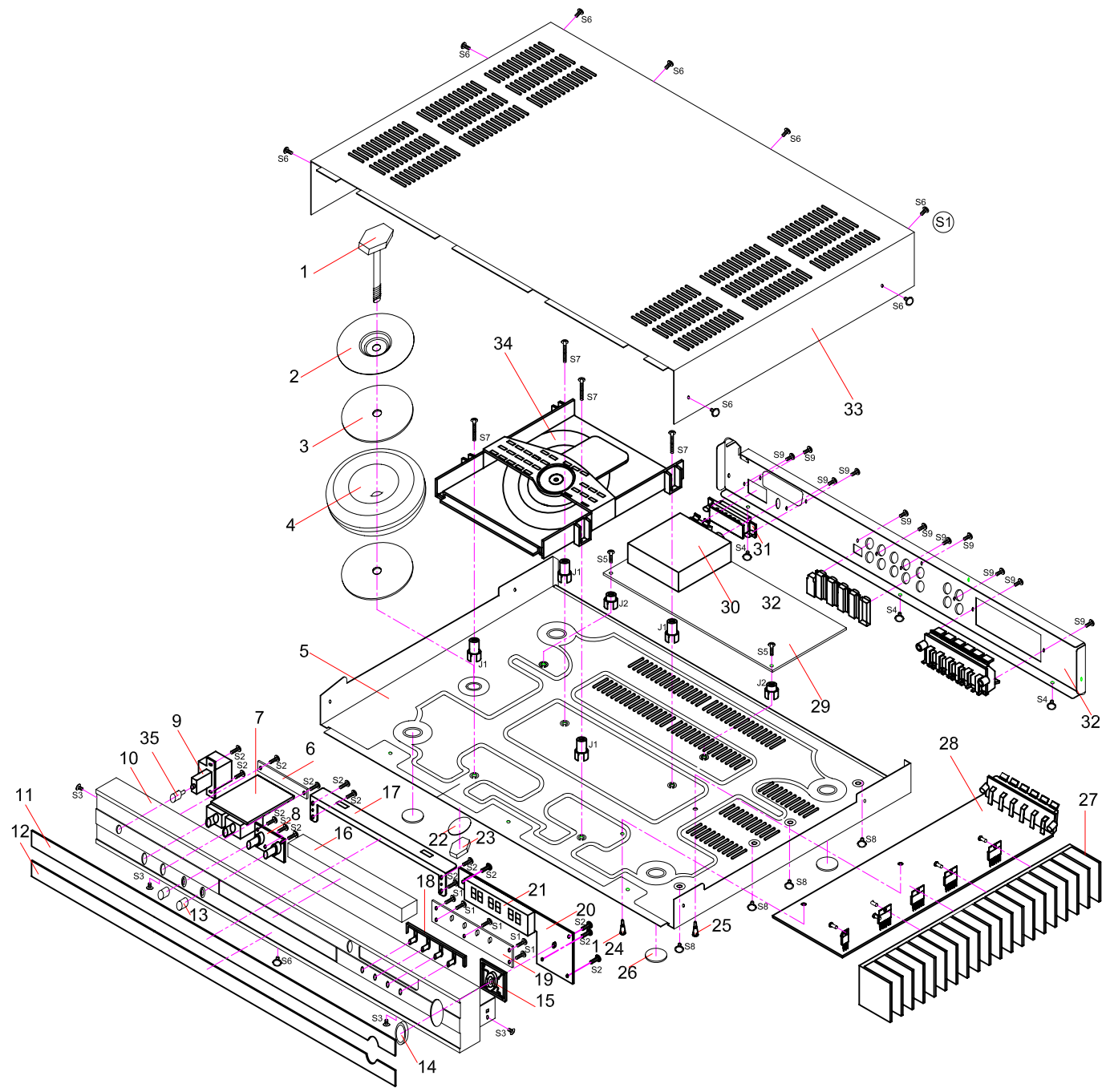


**AKAI**

# **DVD HOME THEATRE SYSTEM**

Model:  
DV - R4030VSMK

# **SERVICE MANUAL**



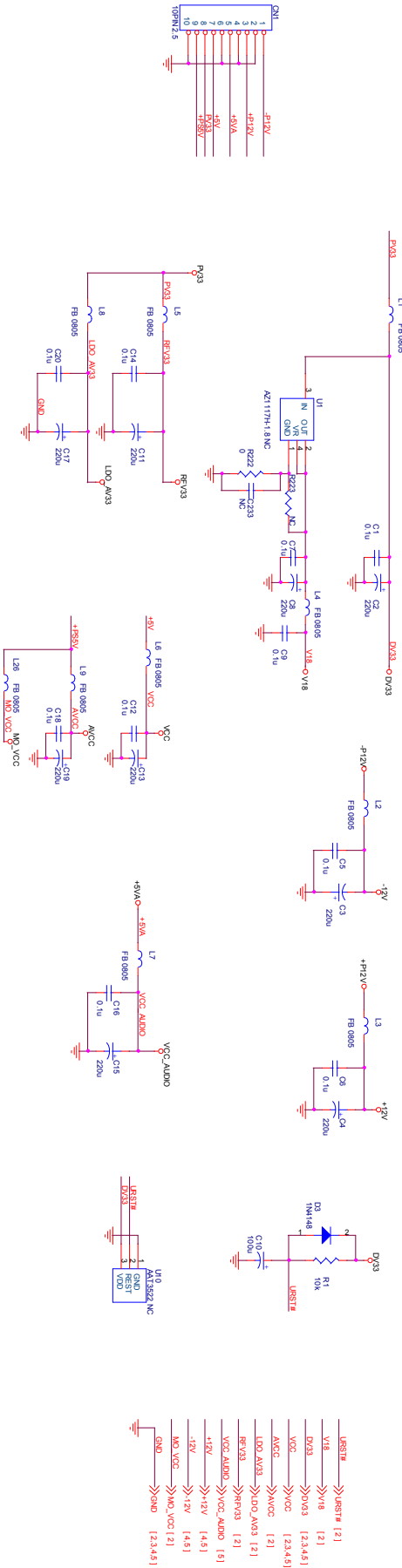
**AKAI**  
**DV-R4030VSMK**

Item	Description	Qty	Item	Description	Qty
30	RECEIVER	1			
29	INPUT ASS'Y	1			
28	SPEAKER OUT PCB	1			
27	RADIATOR	1	S1	M3X6	5
26	FOOT PIECE	1	S2	M3x8	15
25	PLANE UNDERPROP H=10	1	S3	M3X4	4
24	PLANE UNDERPROP H=5	1	S4	M3x4	3
23	CAP NUT	1	S5	M3X10	2
22	WASHER	1	S6	M3X6	9
21	DISPLAY SCREEN	1	S7	M3x14	4
20	DISPLAY PCB	1	S8	M4X10	4
19	KEY PCB	1	S9	M3X8	11
18	FUNCTION KEY	1			
17	PANEL BRACKET	1			
16	TOLL BAR	4	J1	Φ11×7mm	4
15	FUNCTION KEY	1	J2	Φ11×5mm	2
14	decoration	1			
13	MIC KNOB	2			
12	mirror(2)	1			
11	mirror(1)	1			
10	PANEL	1			
9	POWER SWITCH	1			
8	MIC SOCKET	1			
7	MIC PCB	1			
6	MIC BRACKET	1			
5	MOTHERBOARD	1	35	POWER KEY	1
4	TRANSFORMER	1	34	Mechanism Ass'y	1
3	RUBBER WASHER	2	33	COVER	1
2	COVER	1	32	BACKBOARD	1
1	BOLT	1	31	SCART	1

# MT1389C DVD Board for SONY KHM310 PUH

- 1 INDEX & POWER, RESET
- 2 RF / SERVO - MT1336E
- 3 MPEG - MT1379E
- 4 MEMORY - SDRAM, FLASH/EEPROM
- 5 AUDIO - WM8746, VIDEO FILTER

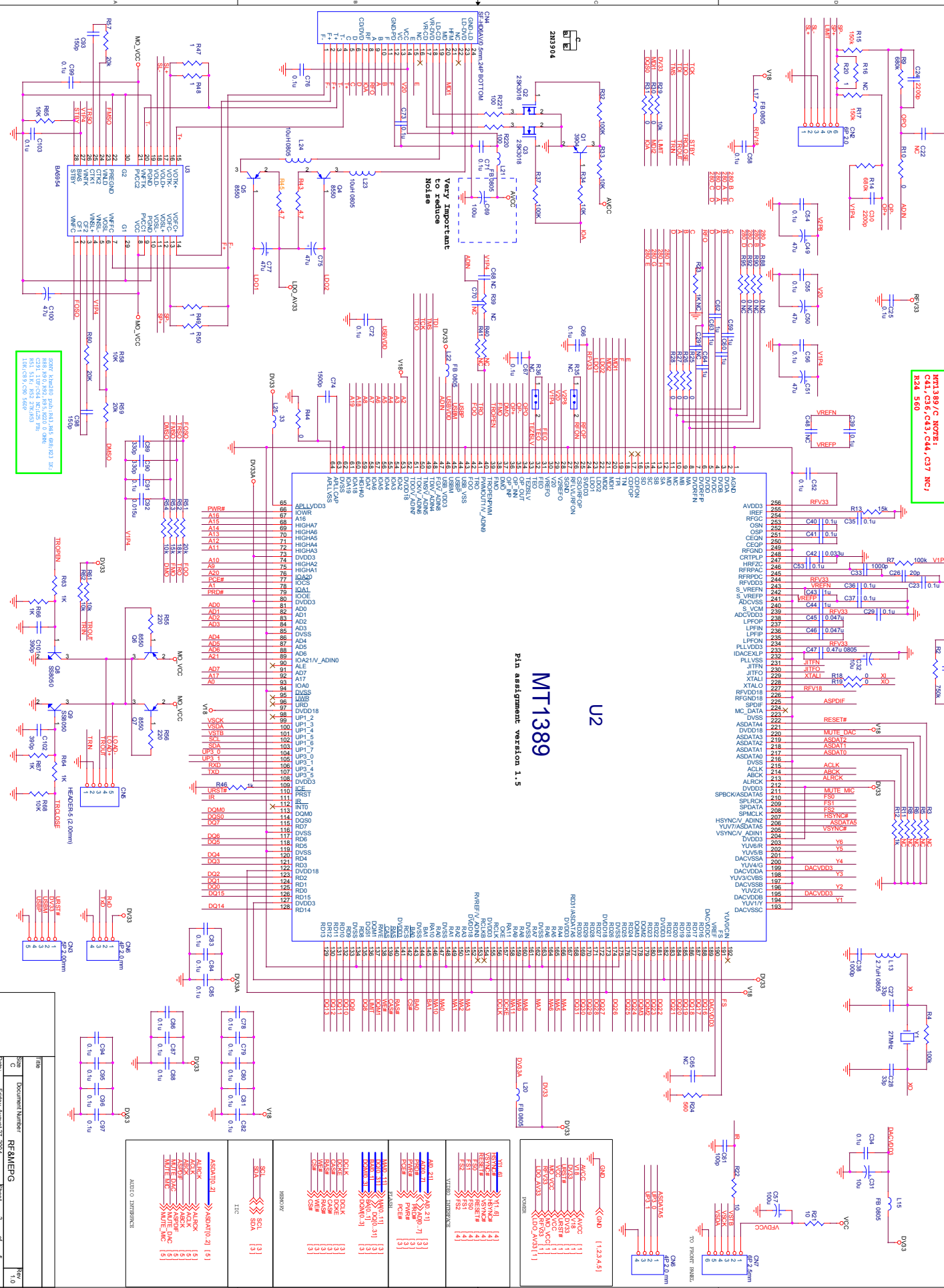
NAME	TYPE	DEVICE
VCC	Digital 5V	SUPPLY
DV33	Digital 3.3V	MT1389E
RFV33	Servo 3.3V	MT1389E
LDO_AV33	Laser Diode 3.3V	
AVCC	RF 5V	PICKUP HEADER
V18	Digital 1.8V	MT1389E
SD33	Digital 3.3V	SDRAM
+12V	Audio +12V	OP AMP.
-12V	Audio -12V	OP AMP.
AVDD	Audio 5V	Audio DAC
DVDD	Audio 5V	Audio DAC



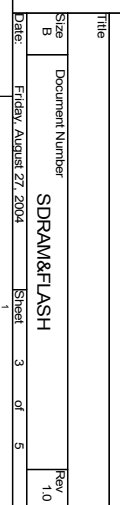
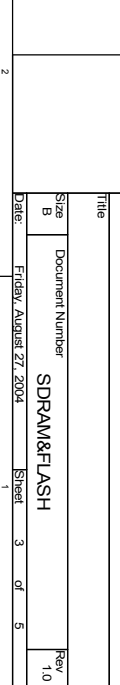
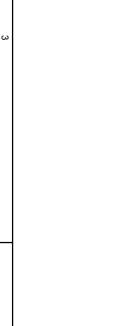
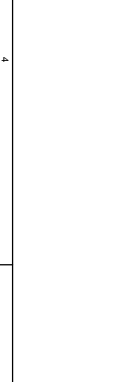
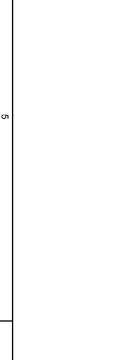
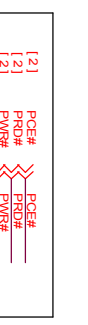
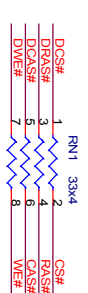
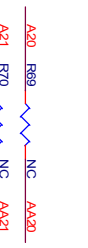
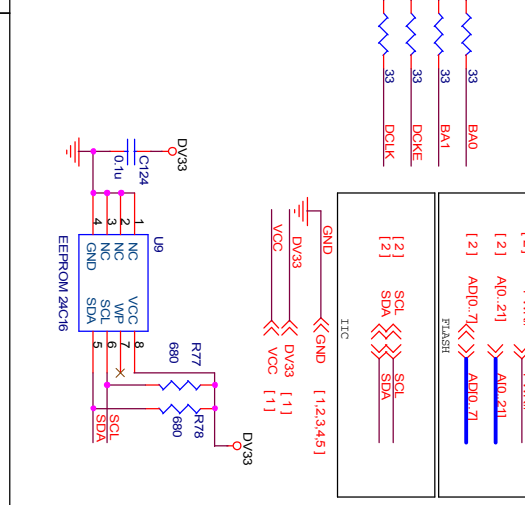
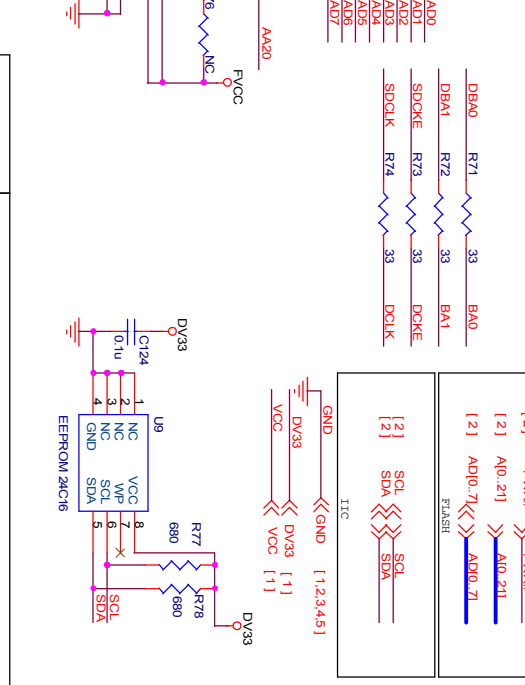
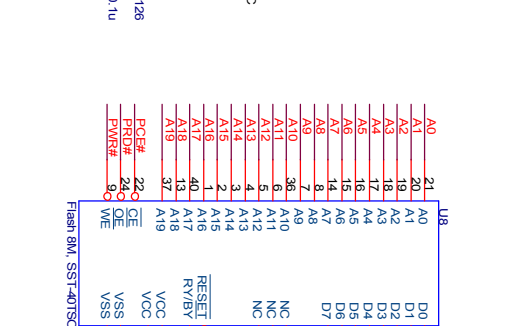
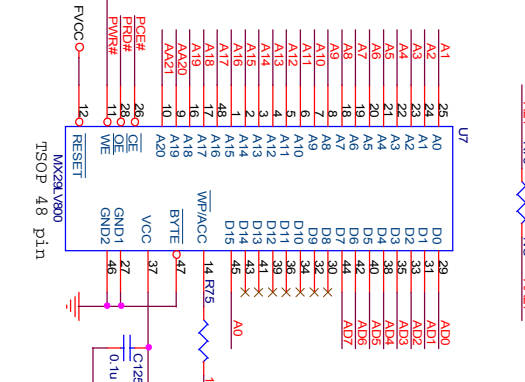
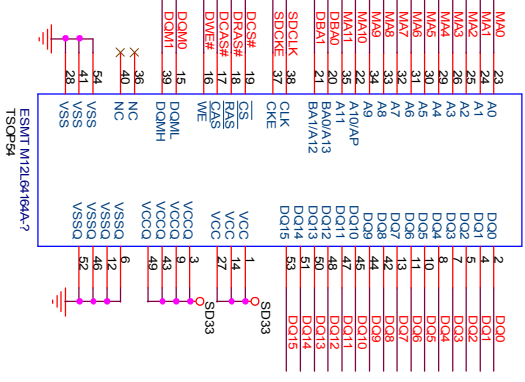
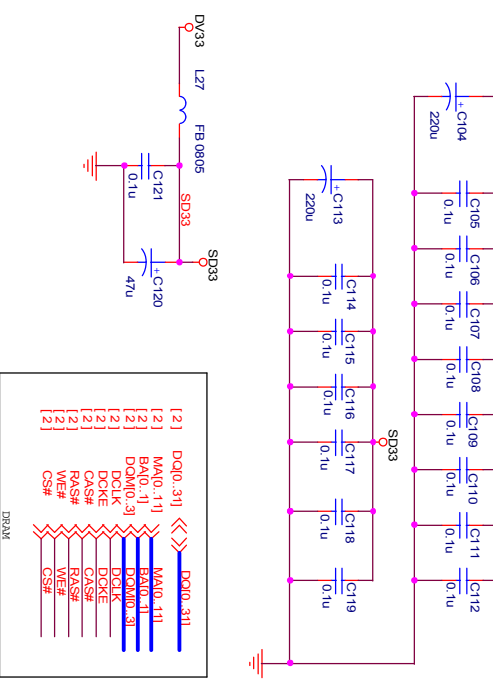
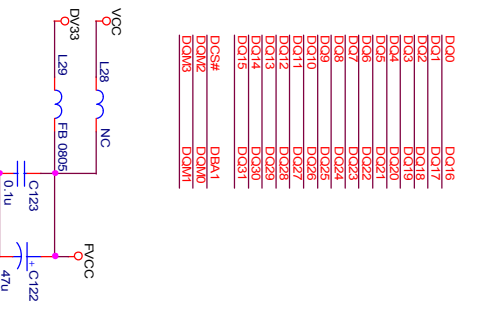
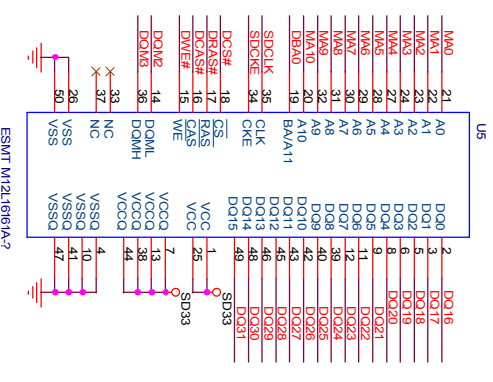
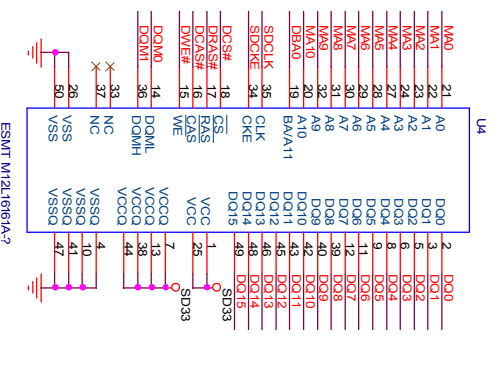
MT1389/C NOISE:  
C41,C36,C43,C44,C37 NC!  
R4 560

# MT1389

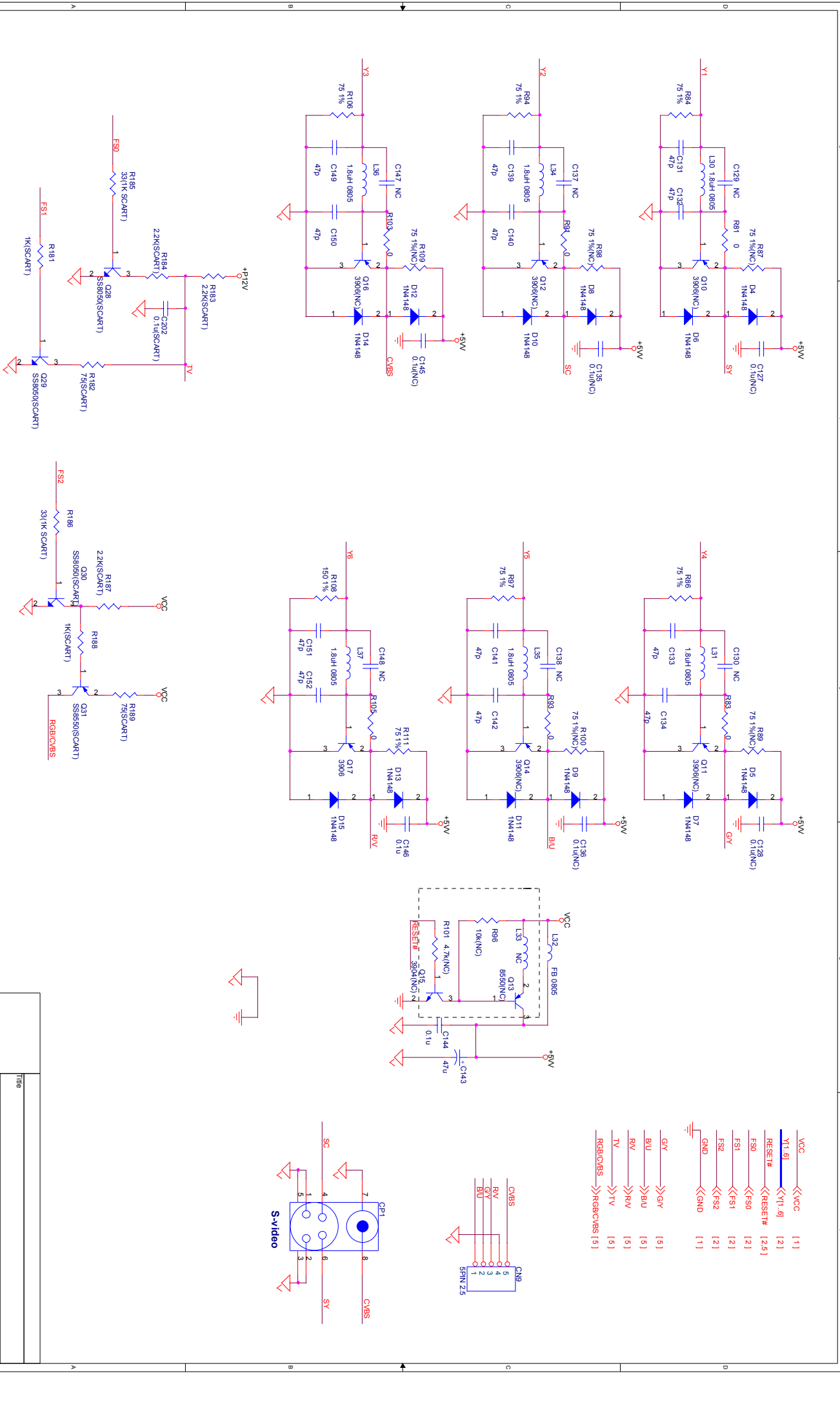
U2  
Pin assignment version 1.5



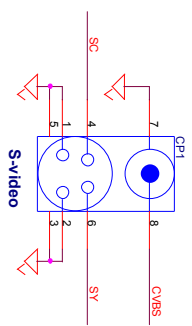
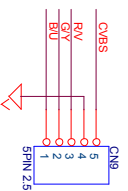
Pin	Signal Name	Value
1	AVDD3	1.2V
2	REF	0.1uF
3	OSN	0.1uF
4	CS	0.1uF
5	CEON	0.1uF
6	CEOFF	0.1uF
7	BRGND	0.1uF
8	CRTPLP	0.1uF
9	HRIC	0.1uF
10	RFRFRAC	0.1uF
11	RFRFRAC	0.1uF
12	S_VREF	0.1uF
13	ADVSS	0.1uF
14	V_CM	0.1uF
15	ADVCOR3	0.1uF
16	LFPOP	0.1uF
17	LPFIN	0.1uF
18	LPFIN	0.1uF
19	LPFIN	0.1uF
20	LPFIN	0.1uF
21	LPFIN	0.1uF
22	LPFIN	0.1uF
23	LPFIN	0.1uF
24	LPFIN	0.1uF
25	LPFIN	0.1uF
26	LPFIN	0.1uF
27	LPFIN	0.1uF
28	LPFIN	0.1uF
29	LPFIN	0.1uF
30	LPFIN	0.1uF
31	LPFIN	0.1uF
32	LPFIN	0.1uF
33	LPFIN	0.1uF
34	LPFIN	0.1uF
35	LPFIN	0.1uF
36	LPFIN	0.1uF
37	LPFIN	0.1uF
38	LPFIN	0.1uF
39	LPFIN	0.1uF
40	LPFIN	0.1uF
41	LPFIN	0.1uF
42	LPFIN	0.1uF
43	LPFIN	0.1uF
44	LPFIN	0.1uF
45	LPFIN	0.1uF
46	LPFIN	0.1uF
47	LPFIN	0.1uF
48	LPFIN	0.1uF
49	LPFIN	0.1uF
50	LPFIN	0.1uF
51	LPFIN	0.1uF
52	LPFIN	0.1uF
53	LPFIN	0.1uF
54	LPFIN	0.1uF
55	LPFIN	0.1uF
56	LPFIN	0.1uF
57	LPFIN	0.1uF
58	LPFIN	0.1uF
59	LPFIN	0.1uF
60	LPFIN	0.1uF
61	LPFIN	0.1uF
62	LPFIN	0.1uF
63	LPFIN	0.1uF
64	LPFIN	0.1uF
65	LPFIN	0.1uF
66	LPFIN	0.1uF
67	LPFIN	0.1uF
68	LPFIN	0.1uF
69	LPFIN	0.1uF
70	LPFIN	0.1uF
71	LPFIN	0.1uF
72	LPFIN	0.1uF
73	LPFIN	0.1uF
74	LPFIN	0.1uF
75	LPFIN	0.1uF
76	LPFIN	0.1uF
77	LPFIN	0.1uF
78	LPFIN	0.1uF
79	LPFIN	0.1uF
80	LPFIN	0.1uF
81	LPFIN	0.1uF
82	LPFIN	0.1uF
83	LPFIN	0.1uF
84	LPFIN	0.1uF
85	LPFIN	0.1uF
86	LPFIN	0.1uF
87	LPFIN	0.1uF
88	LPFIN	0.1uF
89	LPFIN	0.1uF
90	LPFIN	0.1uF
91	LPFIN	0.1uF
92	LPFIN	0.1uF
93	LPFIN	0.1uF
94	LPFIN	0.1uF
95	LPFIN	0.1uF
96	LPFIN	0.1uF
97	LPFIN	0.1uF
98	LPFIN	0.1uF
99	LPFIN	0.1uF
100	LPFIN	0.1uF



Title	
Size	B
Document Number	SDRAM&FLASH
Date	Friday, August 27, 2004
Sheet	3 of 5
Rev	1.0

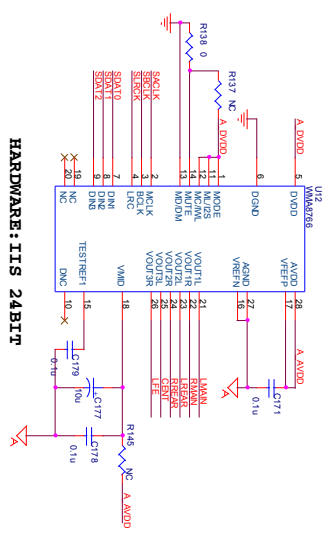
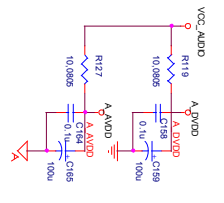


VCC	<<VCC	[11]
Y11.6I	<<Y11.6I	[21]
RESET#	<<RESET#	[2,5]
FS0	<<FS0	[21]
FS1	<<FS1	[21]
FS2	<<FS2	[21]
GND	<<<GND	[11]
GY	>>>GY	[51]
BU	>>>BU	[51]
RV	>>>RV	[51]
TV	>>>TV	[51]
RGB/CVBS	>>>RGB/CVBS	[51]

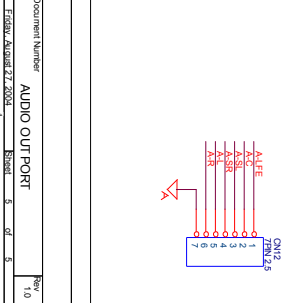
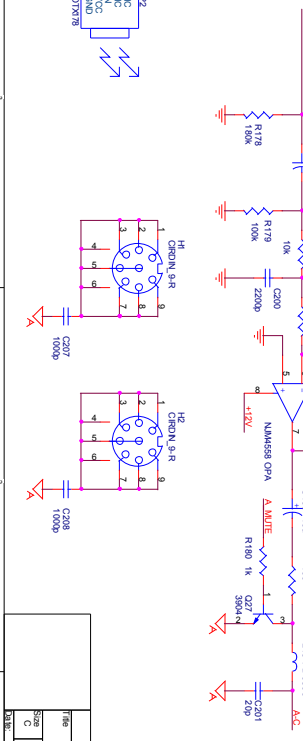
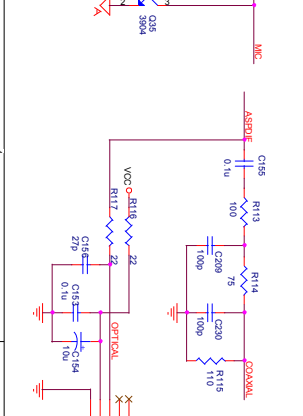
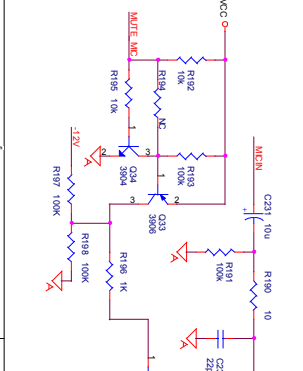
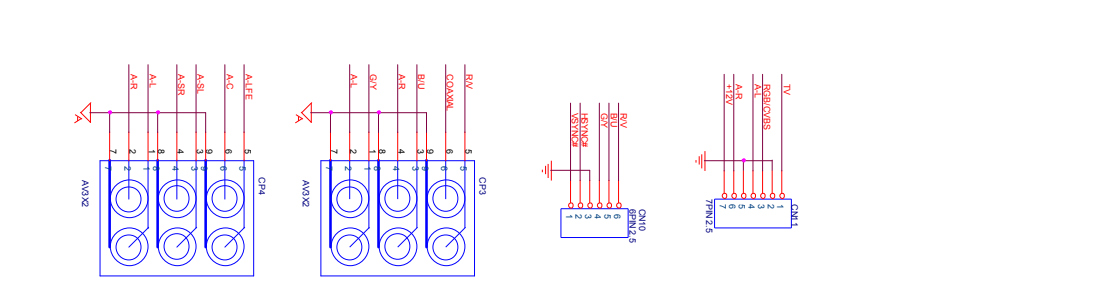
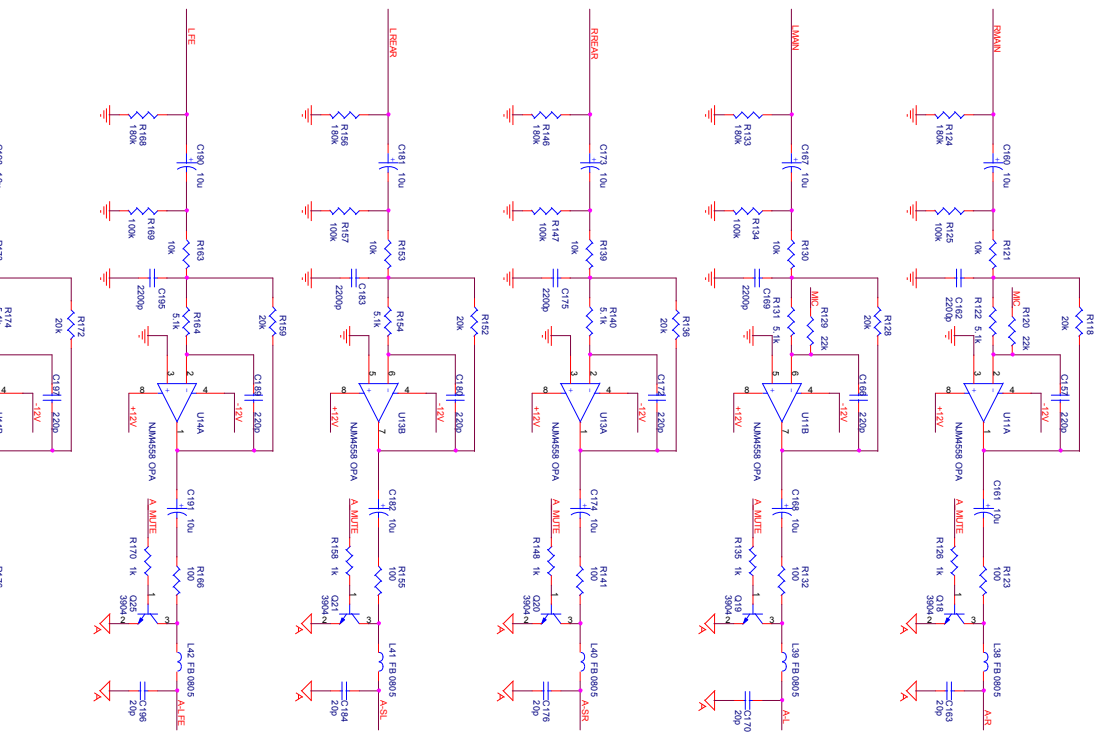
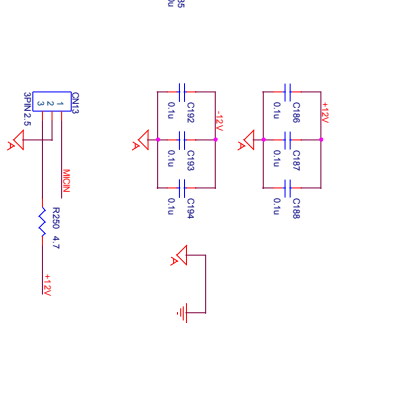
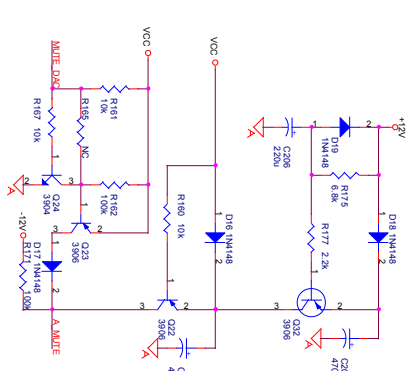


Title	VIDEO OUT PORT
Size	1.0
Author	Shindai
Date	Friday, August 27, 2004

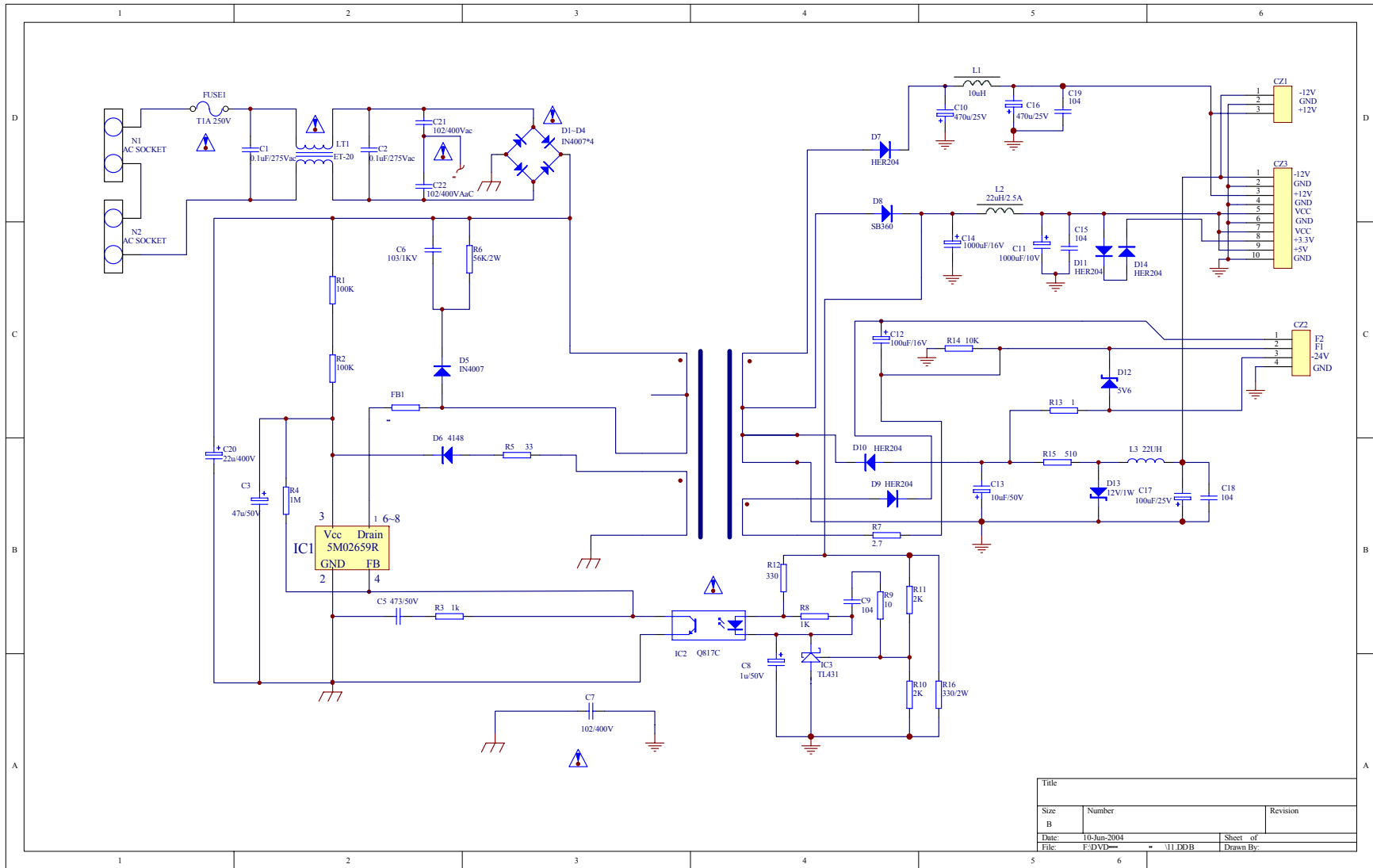
- [11] -12V >> -12V
- [11] +12V >> +12V
- [11] VCC >> VCC
- [11] VCC.AMDO >> VCC.AMDO
- [11.2.3.1] GND >> GND
- [12] ASDA1TB.2 >> ASDA1TB.2
- [12] ACKX >> ACK
- [12] ARCK >> ARCK
- [12] ARCK >> ARCK
- [12] MUTE.MC >> MUTE.MC
- [12] MUTE.DAC >> MUTE.DAC
- [2.4] RESET# >> RESET
- [2.5] SQ. <<> SQ.
- [2.9] SMA <<> SMA
- [2] ASPW# >> ASPW#
- [4] RV >> RV
- [4] RV >> GY
- [4] BU >> BU
- [4] TV >> TV
- [4] TV >> TV
- [4] RBGCRS >> RBGCRS
- [2] HSNV# >> HSNV#
- [2] VSNV# >> VSNV#



**HARDWARE: ITS 24BIT**



File	Size	Document Number	AUDIO OUT PORT
...	...	...	...



Title		
Size	Number	Revision
B		
Date:	10-Jun-2004	Sheet of
File:	F:\DVD\... - \11.DDB	Drawn By: